

SEMI-AUTO

STRAPPING MACHINE

These machines are our most economical solution for Semi-Auto application. For low to medium volume strapping, our Semi-Auto machine is probably your best choice. In this category, we have two product lines:

- Conventional machine
- New generation machine

GENESIS TP-502



GOOD DESIGN PRODUCT



DNV



TÜV



Conventional Machine

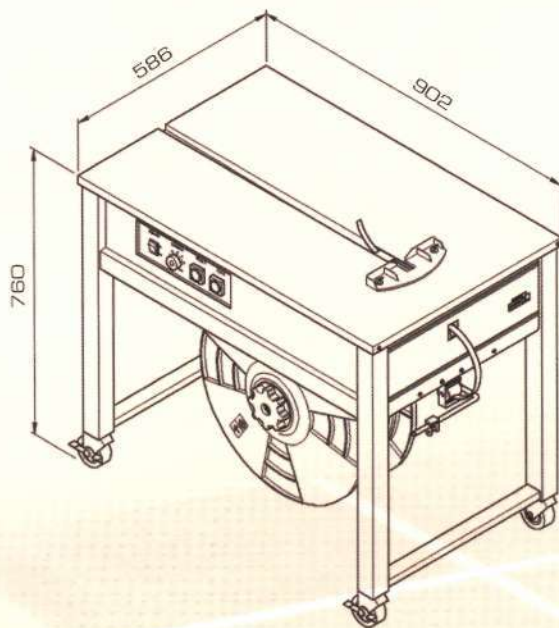
The best sales in the world



TP-202

Main Features:

- ▶ Light, compact design
- ▶ Easy operation, simple maintenance
- ▶ Hinged stainless top plate
- ▶ Mechanical outside tension control
- ▶ Rigid castors with brake
- ▶ Automatic motor stop to save energy
- ▶ Reliable P.C. Board electric control
- ▶ Affordable for every budget, total value more than competing brands
- ▶ Proven quality with over 80,000 sets sold



Options

- ▶ Enclosed frame model TP-201, fixed height
- ▶ Adjustable table height from 760 mm to 930 mm

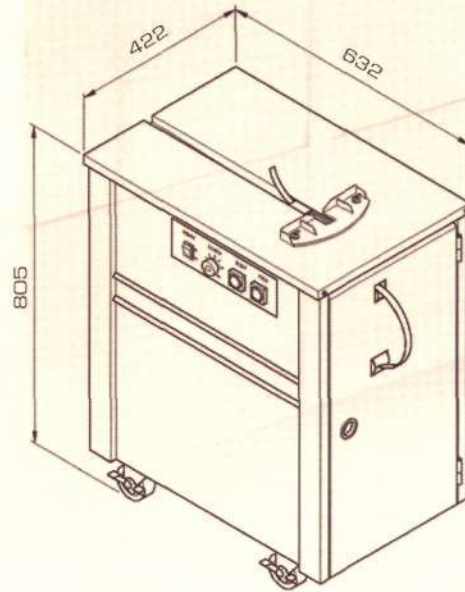
TP-202 TECHNICAL DATA

Strap Width: 6 mm-15.5 mm

Strap Tension: 15-45 kg

Net Weight: 85 kg

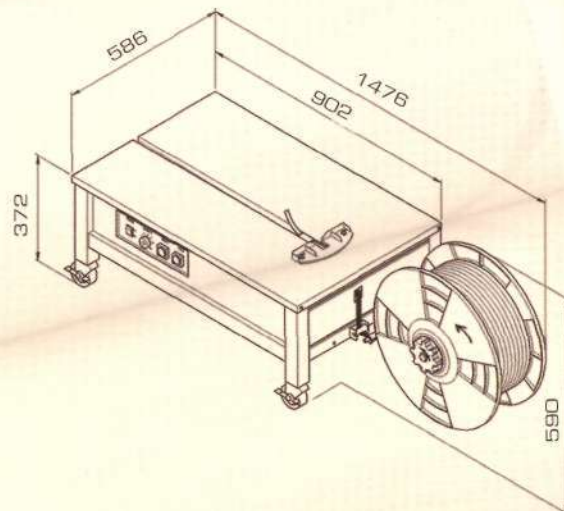
Power: 110V, 220V, 230V 50/60Hz 1PH



TP-203

Main Features:

- ▶ Mid-sized model
- ▶ Net Weight: 80 kg
- ▶ Smoke-exhaustion system
- ▶ Designed specially for office, bank, post office, book and department store...etc.



TP-202L

Main Features:

- ▶ Low-table model
- ▶ Net Weight: 80 kg
- ▶ Designed to accommodate tall or heavy packages

New Generation Machine

Someday all semi strappers will be made in this way



GENESIS TP-502

Main Features:

▶ **Compact Mechanical Control Head**

With 30% less moving parts than conventional machines substantially reduces maintenance issues. There are no belts, chains or pulleys. Extremely low noise sealing head.

▶ **Electronic Tension Control**

Adjustment for wider strap tension (8-45 kg) can be easily done on the front control panel.

▶ **Sensor Controlled Heater**

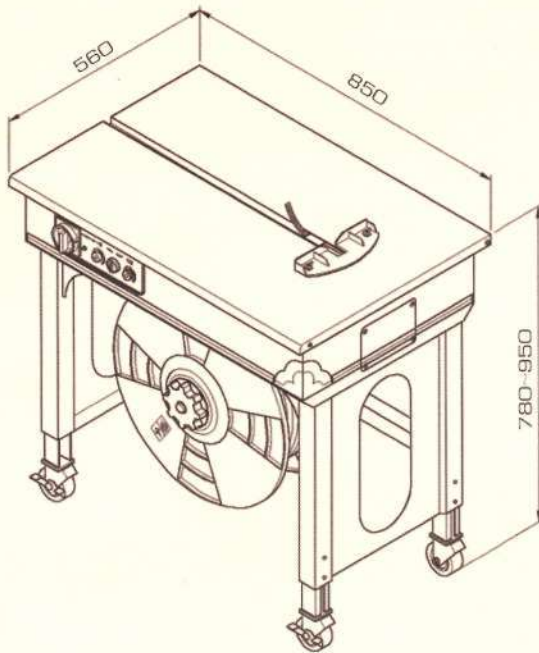
The faster 24V heating mechanism is sensor controlled assuring you of consistent and high efficiency seals.

▶ **Large Main Switch**

The lockable CE rated large main power switch increases safe operation of the machine.

▶ **Adjustable Table Height**

The table height is adjustable to any height between 780 mm and 950 mm.



Options

- ▶ Enclosed frame model TP-501
- ▶ Conversion kit for small packages
- ▶ Digital readout for tension and feed settings

TP-502 TECHNICAL DATA

Strap Width: 5 mm-13 mm

Strap Tension: 8-45 kg

Adjustable Table Height: 780 mm-950 mm

Net Weight: 70 kg

Power: 110V, 220V, 230V 50/60Hz IPH

All specifications subject to change without notice.



9F-4, NO.112, SEC. 2, CHUNG SHAN N. ROAD, TAIPEI 104, TAIWAN

MAILING ADDRESS : P.O.BOX 68-1951, TAIPEI 104, TAIWAN

TEL : (02) 2581 0126 FAX : 886 2 2562 9849

WEB : www.transpakcorp.com E-mail : transpak@transpak.com.tw

10.2005x2000